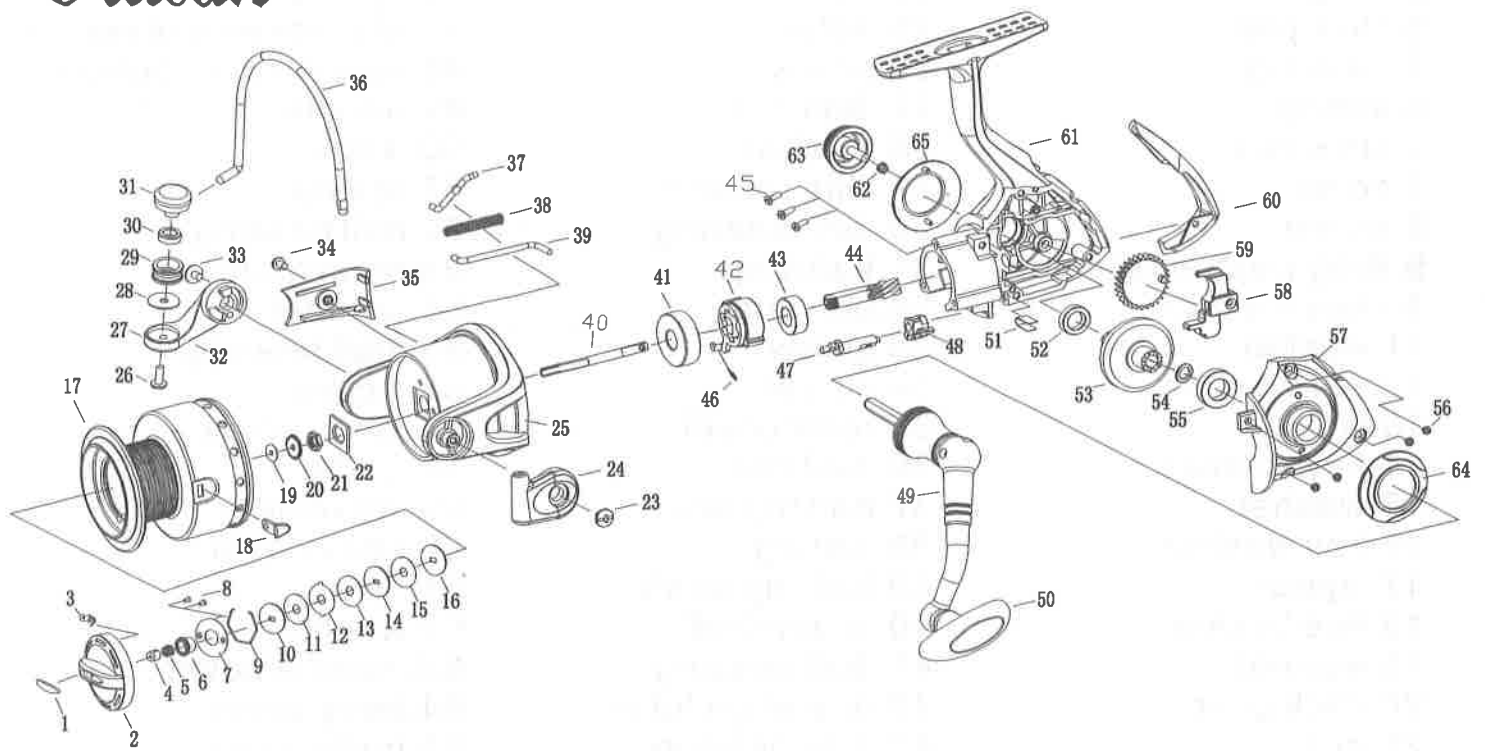


# Vulcan



## EXPLODED VIEW

- |                        |                    |                        |
|------------------------|--------------------|------------------------|
| 1.drag knob cover      | 23.bail arm screw  | 45.screw               |
| 2.drag knob            | 24.bail arm        | 46.spring              |
| 3.click plate          | 25. rotor          | 47.anti-reverse lever  |
| 4.bushing              | 26.screw           | 48.anti-reverse button |
| 5.spring               | 27. bail arm       | 49.handle              |
| 6.click gear           | 28.washer          | 50. knob               |
| 7.cover                | 29. line roller    | 51.spring              |
| 8.screw                | 30. ball bearing   | 52.ball bearing        |
| 9.drag washer retainer | 31.bail strip      | 53.main gear           |
| 10.key washer          | 32.bail arm        | 54. washer             |
| 11.washer              | 33.screw           | 55. ball bearing       |
| 12.ear washer          | 34.screw           | 56. screw              |
| 13.washer              | 35.rotor cover     | 57. body cover         |
| 14.key washer          | 36. bail line      | 58. slider             |
| 15.washer              | 37.bail trip shaft | 59. drive gear         |
| 16.key washer          | 38. spring         | 60.body cover          |
| 17. spool              | 39.bail trip shaft | 61. body               |
| 18.line buckle         | 40. main shaft     | 62.washer              |
| 19.washer              | 41. ball bearing   | 63. handle cover       |
| 20.click gear          | 42.one way clutch  | 64.body cover          |
| 21.nut                 | 43. ball bearing   | 65.body cover          |
| 22.retainer            | 44. pinion gear    |                        |